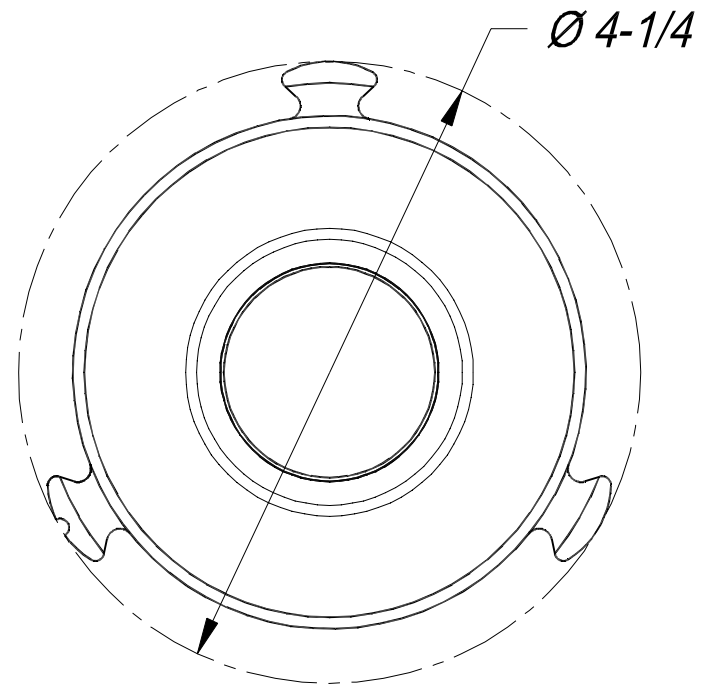


SIDE VIEW



FRONT VIEW

NOTE:
ALL DIMENSIONS ARE APPROXIMATE

	<i>2.5 RIG RL FEMALE X 1.5 MALE</i>	<i>REV</i>	<i>DWG. BY SMB</i>	<i>DWG. NO. 37R2515U</i>	<i>1-1</i>
		<i>SCALE NONE</i>	<i>DATE 10/20/04</i>		
<i>MAT.</i>	<i>SAW</i>	<i>PART NO.</i>	<i>37R2515</i>		